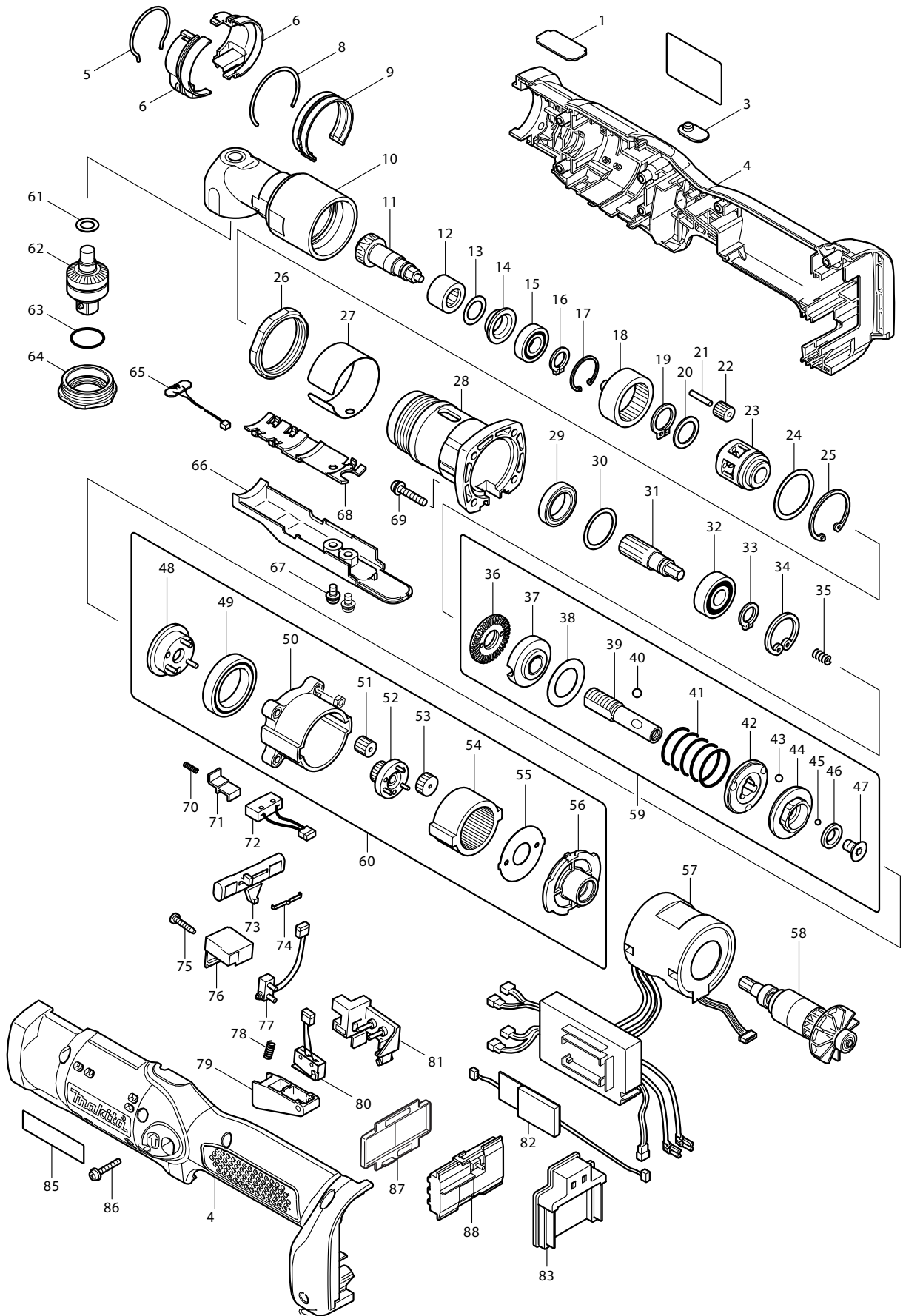




11 - 2007
BFL402RZ
NUT RUNNER, 25-40NM



Item No	Type	Sub	Part No.	Description	Qty	Unit
1			345446-6	PLATE K	1	PC.
3			419832-8	LENS	1	PC.
4	1		188302-5	* HOUSING SET	1	SET
		INC.		* Item No. 85		
	2		188890-2	* HOUSING SET (N/A)	1	SET
		INC.		* Item No. 84		
	3		187859-3	* HOUSING SET	1	SET
		INC.		* Item No. 84		
5			233932-8	RING SPRING 29	1	PC.
6			183848-6	LIGHT COVER SET	1	PC.
8			233931-0	RING SPRING 36	1	PC.
9			418687-8	LEAD COVER	1	PC.
10			158056-8	ANGLE HEAD COMPLETE	1	PC.
11			227479-2	SPIRAL BEVEL GEAR 9	1	PC.
12			212108-0	NEEDLE BEARING 1212	1	PC.
13			253312-2	THIN WASHER 12	1	PC.
14			345281-2	SPACER	1	PC.
15			210057-5	BALL BEARING 6900LLB	1	PC.
16			961026-6	RETAINING RING S-10	1	PC.
17			962102-9	RETAINING RING R-22	1	PC.
18			227120-7	INTERNAL GEAR 50	1	PC.
19			961054-1	RETAINING RING S-14	1	PC.
20			253837-6	FLAT WASHER 14	1	PC.
21			256104-8	PIN 3	5	PC.
22			227138-8	SPUR GEAR 14	5	PC.
23			310148-3	CARRIER	1	PC.
24			267127-1	FLAT WASHER 26	1	PC.
25			962161-3	RETAINING RING R-32	1	PC.
26			252187-6	HEX. NUT M36-41	1	PC.
27			345447-4	RING 38K	1	PC.
28			317808-8	CLUTCH CASE	1	PC.
29			211283-9	BALL BEARING 6803ZZ	1	PC.
30			267283-7	FLAT WASHER 21	1	PC.
31			227137-0	SPUR GEAR 21	1	PC.
32			211088-7	BALL BEARING 6000DDW	1	PC.
33			961026-6	RETAINING RING S-10	1	PC.
34			962105-3	RETAINING RING R-26	1	PC.
35			233019-6	COMPRESSION SPRING 5	1	PC.
36			324834-0	LOCK NUT M12	1	PC.
37			158408-3	ADJUST RING COMPLETE	1	PC.
38			267276-4	FLAT WASHER 18	1	PC.
39			324296-2	SPINDLE	1	PC.
40			216018-3	STEEL BALL 5.0	3	PC.
41			233357-6	COMPRESSION SPRING 19B	1	PC.
42			223146-7	CAM D	1	PC.
43			216024-8	STEEL BALL 4	3	PC.
44			223139-4	CAM A	1	PC.
45			216019-1	STEEL BALL 3	13	PC.
46			267247-1	FLAT WASHER 7	1	PC.
47			266305-0	TORX C.S HEAD SCREW M5X10	1	PC.
48			153443-6	CARRIER COMPLETE A	1	PC.
49			211375-4	BALL BEARING 6805LLB	1	PC.
50			418004-2	GEAR CASE	1	PC.
51			227050-2	SPUR GEAR 13	3	PC.
52			153445-2	SPUR GEAR 20 COMPLETE A	1	PC.
53			227049-7	SPUR GEAR 18	3	PC.
54			227048-9	INTERNAL GEAR 47	1	PC.
55			267774-8	LOCK WASHER	1	PC.

Item No	Type	Sub	Part No.	Description	Qty	Unit
56			418003-4	MOTOR BRACKET	1	PC.
57	1		631760-9	* MOTOR CONTROL UNIT	1	PC.
		2	631980-5	* MOTOR CONTROL UNIT	1	PC.
58			619144-1	ROTOR	1	PC.
59			125397-7	CLUTCH ASS'Y J	1	PC.
		INC.		Item No. 36-47		
60			125189-4	GEAR ASSEMBLY A	1	PC.
		INC.		Item No. 48-56		
61			253777-8	FLAT WASHER 8	1	PC.
62			154448-9	SPINDLE A COMPLETE	1	PC.
63			213275-4	O RING 18	1	PC.
64			285723-3	BEARING RETAINER 18-30	1	PC.
65			631622-1	LED CIRCUIT	1	PC.
66			418690-9	SWITCH COVER	1	PC.
67			265171-2	PAN HEAD SCREW M4X8	2	PC.
68			418686-0	LEAD HOLDER	1	PC.
69			265145-3	+ PAN HEAD SCREW M4X22	4	PC.
70			233025-1	COMPRESSION SPRING 2	1	PC.
71			418002-6	SWITCH LEVER	1	PC.
72			638184-0	SWITCH UNIT	1	PC.
73			418201-0	F/R CHANGE LEVER	1	PC.
74			232201-4	LEAF SPRING	1	PC.
75			266130-9	TAPPING SCREW BIND PT 3X16	1	PC.
76			418204-4	COVER	1	PC.
77			638276-5	SWITCH UNIT	1	PC.
78			231397-8	COMPRESSION SPRING 4	1	PC.
79			418203-6	SWITCH LEVER A	1	PC.
80			638275-7	SWITCH UNIT	1	PC.
81			418202-8	SWITCH BASE	1	PC.
82	1		631755-2	* POWER SUPPLY CIRCUIT	1	PC.
	2		631985-5	* POWER SUPPLY CIRCUIT	1	PC.
83	1		643811-6	* TERMINAL	1	PC.
	2		643828-9	* TERMINAL	1	PC.
85			819216-4	MAKITA LOGO LABEL (Removed)	1	PC.
86			265095-2	PAN HEAD SCREW M3X20	7	PC.
87	1		419828-9	COVER	1	PC.
	2		452188-6	COVER	1	PC.
88			631717-0	RF UNIT	1	PC.
E01			810401-2	CAUTION LABEL	1	PC.

ACCESSORIES

A01			765027-4	TORQUE ADJUST TOOL	1	PC.
A02			194066-1	14.4V LI-ION BATTERY BL1430	1	PC.
A03			DC18RA	CHARGER DC18RA	1	PC.
A03			DC18RC	CHARGER DC18RC	1	PC.
			DC24SC	CHARGER DC24RA	1	PC.
A04			193681-8	REFRESHING ADAPTOR ADP03	1	PC.
A05			418691-7	PROTECTOR A (YELLOW)	1	PC.
			418693-3	PROTECTOR C (YELLOW)	1	PC.
			418743-4	PROTECTOR A (BLUE)	1	PC.
			418744-2	PROTECTOR A (RED)	1	PC.
			418745-0	PROTECTOR A (CLEAR)	1	PC.
			418749-2	PROTECTOR C (BLUE)	1	PC.
			418750-7	PROTECTOR C (RED)	1	PC.
			418751-5	PROTECTOR C (CLEAR)	1	PC.
A06	1		A-47977	RECEIVER SET	1	PC.
	2		A-55924	RECEIVER SET	1	PC.
A08			154450-2	SPINDLE G COM. 1/2" SQ	1	PC.

SERVICE CHANGES

1. Changes on Housing Set and Terminal

(TI#87287)

(TI#A2665)

Item No.	Description	Type 1	Type 2	Type 3
4	Housing Set	188302-5	188890-2 (N/A)	187859-3
57	Motor Control Unit	631760-9		631980-5
82	Power Supply Circuit	643983-7		631985-5
83	Terminal		643811-6	643828-9

Above parts are completely interchangeable as a set.